

Product overview

- Rated voltage: AC220V
- Rated torque: 80N.m
- Running time: **about 20s**
- Install valves: 2-way, 3-way ball valve and butterfly valve
- Wiring and feedback model: BD3S、B3S、B3C、B2S
- Adopted high-performance Synchronous Motor
- It can be used 20,000 times.*1
- ✘ It is forbidden to use 2 or more actuators in parallel



Technical Data

Electrical data	Rated voltage	AC220V(50/60HZ)
	Rated voltage range	AC220V ± 10%
	Power consumption	60W@max 55W@running 0W@holding
	Peak current	0.27A @5ms @AC220V
	Fuse	1A
Functional data	Connecting cable	7P-5.08-500V ×(0.5-1.5)mm ² terminal 7*0.5mm ² cable, voltage withstand AC300V (Length 800mm)
	Rated torque	80Nm@rated voltage
	Angle of rotation	90±2°
	Max angle of rotation	360°
	Manual operation	✘ Matching hexagon wrench, using at no power
	Running time	About 20s
	Operating mode	S3-85%(loading ≤85% rated torque refer to IEC60034-1-2017 *2)
Working conditions	Sound power level	65dB(A)
	Position indicator	Mechanical
	Electricity safety level	I Type(ground protection)
	Inflaming retarding level	1.6mmHB/ UL94 test method
	Enclosure	IP67 As Per En60529/GB4208-2008 (all directions) F type can add bracket or dehumidifying heater
	Insulation resistance	100MΩ/500VDC
	Withstand voltage	1500VAC@1Min
	Medium temperature	≤ 80°can install to actuator directly ✘ > 80° need to install heat radiation stand
	Working environment	✘ Indoor or outdoor; if exposed to the rain or sunshine, need to install protective device for the actuator
	Explosion-proof level	⚠ Not explosion proof products, do not use them in flammable and explosive environment
	Ambient temp	-15℃~+45℃ (ABS) ; -15℃~+60℃(Aluminum)
	Non-operation temp	≤-40℃ or ≥80℃
	Ambient humidity	5-95%RH non-condensing
	Ambient temperature*3	[1]Ambient temperature <5℃,additional HTR is recommended. [2]Ambient temperature <5℃ and humidity>60%, HTR +desiccant is recommended. [3]Ambient temperature<5℃ and humidity>80%, HTR+desiccant+three preventing painting is recommended [4]Ambient temperature >5℃ and humidity >60%, additional three preventing painting is recommended. [5]Ambient temperature >5℃ and humidity >80%, additional desiccant+three preventing painting is recommended.

*1.Test condition:Rated load,test at under 25℃ working temperature and 50% humidity,lead the result from 2 times switching cycle,which will be influenced by different load and working environment.

*2 Operating mode: The testing environment temperature is 25℃ inside the factory. The testing standard as per IEC 60034-1-2017.The operation mode will be S3-90% if the loading less than 60% rated torque.

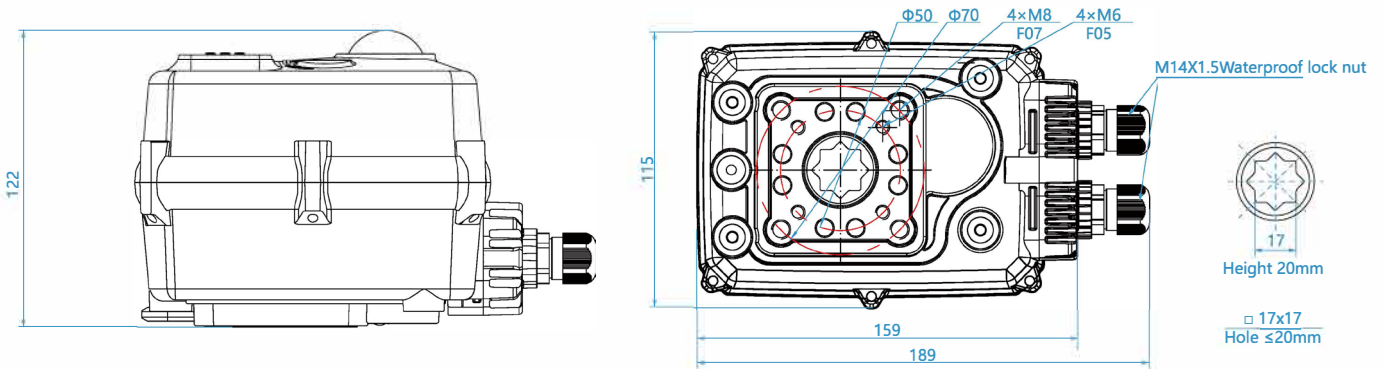
*3.(1) It is customized item when used and stored under special ambient temperature of -20℃~40℃, and special instructions are required.

(2) At the ambient temperature of -40℃, power on is required for more than 15 minutes (30 minutes is recommended) before use. The higher the ambient temperature is, the shorter the power on time can be.

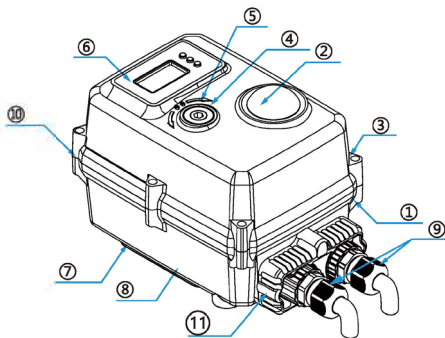
(3) If user use the product at the ambient temperature of -40℃ for long time, it needs to be insulated.For example,add heating cable around the actuator.If the ambient temperature is over -20℃, then the heating cable can be canceled.

Dimensions / weight	Vibration Shock	≤5g
	Vibration amplitude	※10 to 55 Hz, 1.5 mm double amplitude
	Installation notes	360°any angle, need manual operation or allow for wiring space
	Maintenance	Free maintenance
	Certification	CE
	Dimensions (LXWXH)	See "Dimensions"
	Connection standard	ISO5211 F05,F07
	Output axis specification	Female octagonal
	Hole deepness	≤20mm(Female octagonal)
	Weight	ABS material 2.2kg Aluminum material 2.5kg

Dimension 【Female octagonal】



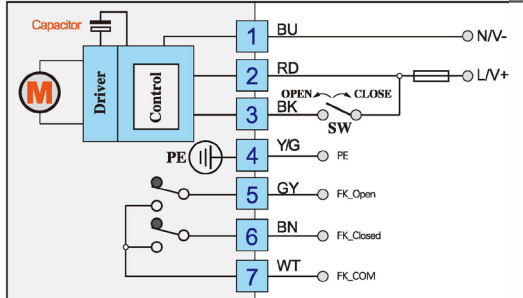
Main parts



Parts	Material	Parts	Material
1 Actuator	ABS	8 Hexagon wrench	Tool steel
2 Indicator	TransparentAS	9 Waterproof cable connector	NI/Lon
3 Screwx4	304	10 seal part between up and down cover	NBR
4 Manual shaft	304	11 Terminal cover	ABS
5 Oil seal	NBR		
6 Label	PVC		
7 Wrench fixed	ABS		

Wiring diagrams

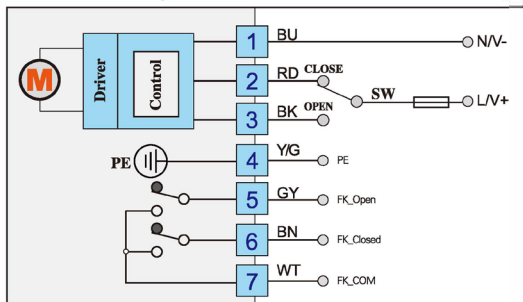
KT32S/BD3S-General Voltage



Control instructions:

- If SW is disconnected;the actuator will drive valve close clockwise ↻. When the valve is closed completely, [7] is connected with [6],giving signal of closing.
- If SW is connected,the actuator will drive valve open anticlockwise ↻. When the valve is open completely, [7] is connected with [5],giving signal of opening .
- ※ Notice 1: [7] is not connected with [6] [5],when the actuator is running.
- ※ Notice 2:The feedback signal is a little earlier than the actual position,so please do not cut power immediately,when you get the feedback signal.
- ※ Notice 3:When power cut,actuator will drive valve to close.

B3S-General Voltage

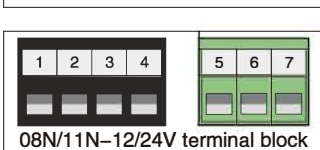
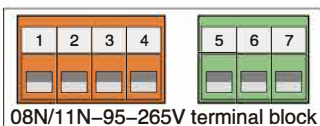


Control instructions:

- SW is connected with CLOSE,the actuator will rotate clockwise ↻ . When the valve is closed, [7] is connect with [6],giving signal of closing.
- SW is connected with OPEN,the actuator will rotate anticlockwise ↻. When the valve is open, [7] is connect with [5],giving signal of opening.
- ※ Notice 1: [7] is disconnected with [6] and [5] when the actuator is rotating.
- ※ Notice 2: The feedback signal is a little earlier than the actual position,so please do not cut power immediately, when you get the feedback signal.

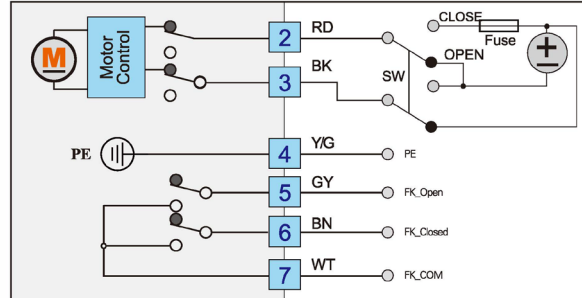
Terminal block for product without cable_wiring instruction

- 1.Fuse:please refer to manual for more parameters.
- 2.SW switching capability;please refer to manual for more parameters.
- 3.Feedback signal contact load capacity:0.1A/250VAC 0.5A/30VDC.
- 4.Please make sure actuator connect ground reliably.
5. Orange terminal is for the product in 95-265V (include 220V) .
Black terminal is for the product DC12V/DC24V.
6. Some products adopt wiring box ,user could wiring according to the order of number.



Terminal block of the product without cable.

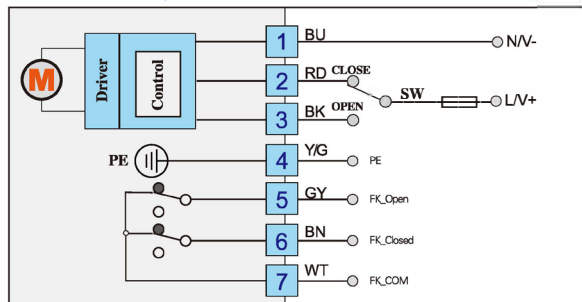
B2S-DC24V/DC12V



Control instructions:

- If SW is connected with CLOSE;the actuator will drive valve close clockwise ↻.When the valve is closed completely, [7] is connected with [6],giving signal of closing.
- If SW is connected with OPEN,the actuator will drive valve open anticlockwise ↻.When the valve is open completely, [7] is connected with [5],giving signal of opening .
- ※ Notice 1: [7] is not connected with [6] [5],when the actuator is running.
- ※ Notice 2:The feedback signal is a little earlier than the actual position,so please do not cut power immediately,when you get the feedback signal.

B3C-General Voltage

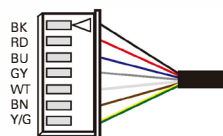


Control instructions:

- SW is connected with CLOSE,the actuator will rotate clockwise ↻ . When the valve is closed, [7] is connect with [6],giving signal of closing.
- SW is connected with OPEN,the actuator will rotate anticlockwise ↻. When the valve is open, [7] is connect with [5],giving signal of opening.
- ※ Notice 1: [7] is connected with [6] and [5], when the actuator is rotating.
- ※ Notice 2: The feedback signal is a little earlier than the actual position,so please do not cut power immediately, when you get the feedback signal.

Test terminal for the cable end_wiring instruction

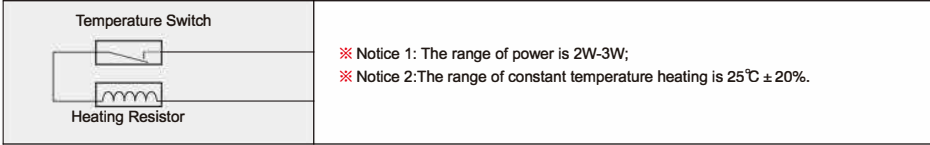
- 1.Fuse:please refer to manual for more parameters.
- 2.SW switching capability;please refer to manual for more parameters.
- 3.Feedback signal contact load capacity:0.1A/250VAC 0.5A/30VDC.
- 4.Please make sure actuator connect ground reliably
5. Some products adopt wiring box ,user could wiring according to the order of number.



(User could cut out the cable terminal as it is only used for factory test.)

Cable terminal for test(7pin)

Anti-condensation heater [Accessory]



Mounting instructions

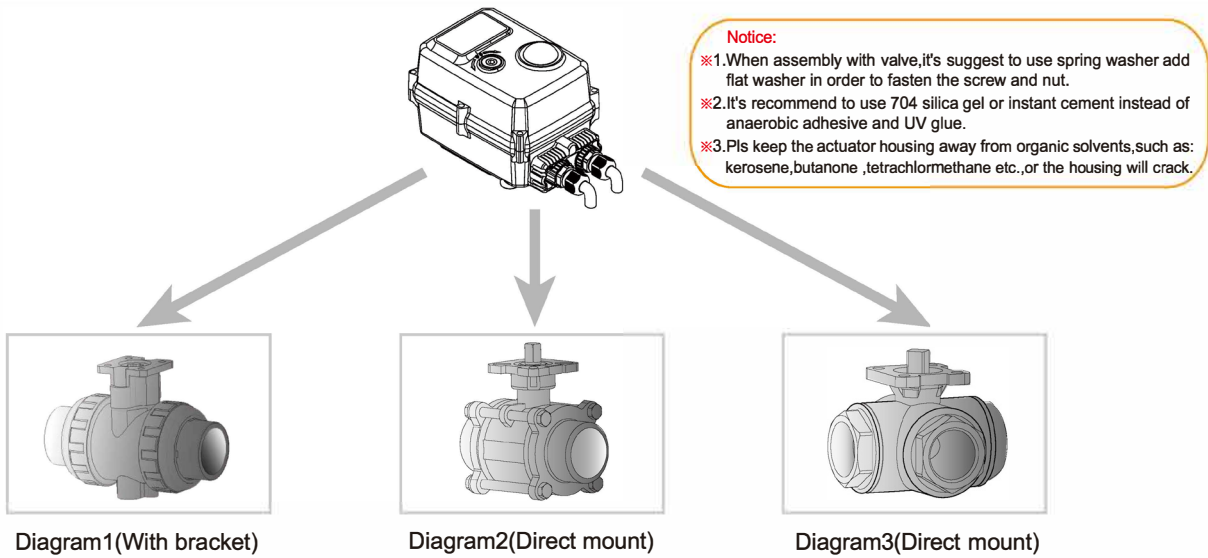


Diagram1 UPVC plastic ball valve+bracket assembly
 Diagram2 3piece stainless steel ball valve assembly
 Diagram3 3piece stainless steel 3way ball valve assembly

Installed valve technical requirements

Valve type	Recommend install condition
wafer butterfly valve	actuator rate torque ≥ 2 times valve max torque
flange butterfly valve	actuator rate torque ≥ 1.7 times valve max torque
metal ball valve	actuator rate torque ≥ 1.7 times valve max torque
plastic ball valve	actuator rate torque ≥ 1.5 times valve max torque

- 1. If the ball valve is out of operation for a long time, and the torque value of first on or off is the max torque
- 2. When installing direct mount model valve, the hole deep ≤ 20 mm. It requires cutting if the output shaft is longer than 20mm.
- 3. Pls pay attention to the following items if you install the bracket and coupling by yourself:
 - ※ The intensity of bracket should meet the using requirements: the bracket twisting extent ≤ 0.2 mm in the process of on or off.
 - ※ The parallelism of bracket ≤ 0.5 mm.
 - ※ When processing the shaft hole at both end of the coupling, it is necessary to ensure the accuracy and concentricity. The purpose is to make sure the mechanical hysteresis $\leq 10^\circ$, otherwise it will cause the actuator unable to work.
- 4. Screw should be installed spring washer、 flat washer, and we suggest you daub some glue cement around the screw in case of screw loosening.
- 5. After installation, user should switch the valve on and off one time with handle device first. Modifying the valve after make sure it works well.

Adjusting valve location instructions

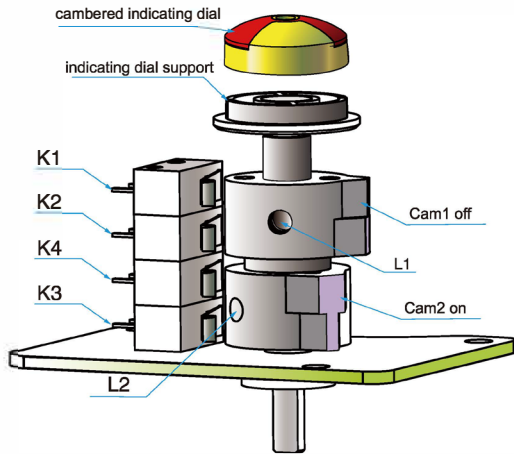


Diagram 1

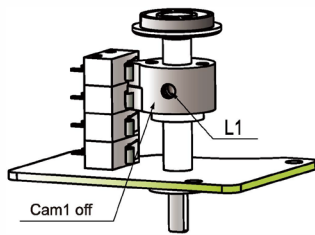


Diagram 3

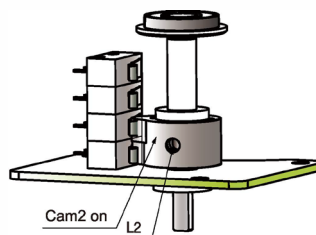


Diagram 4

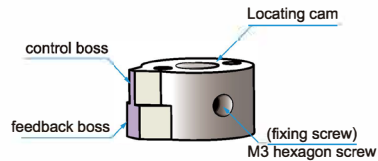


Diagram 2

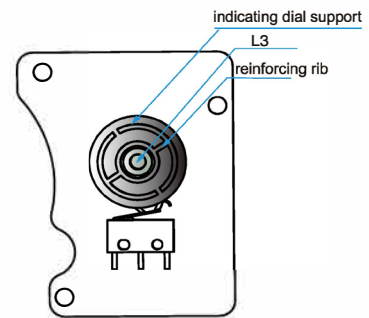


Diagram 5

Diagram 1 locating mechanism structural schematic diagram

Diagram 3 close adjustment schematic diagram

Diagram 5 Indicating dial adjustment schematic diagram

Diagram 2 locating cams structural schematic diagram

Diagram 4 open adjustment schematic diagram

Valve position adjustment

- ※ Notice 1: The default is that rotating in clockwise direction means closing, and rotating in anticlockwise direction means opening.
- ※ Notice 2: B3P does not have K2, K4 micro switch.

Micro-adjustment of electrical limit:

□1 Adjusting full close:

- △ Rotate the valve to full close position with handle.
 - ※ Since the valve has gone through "factory default setting", this step can be omitted if the adjustment is slight.
 - △ Detach cambered indicating dial, loosen fixing screw L3 of indicating dial support, turn reinforcing rib as shown in diagram 5, perpendicular to the flow direction of valve, then screw up L3 and buckle up cambered indicating dial.
 - ※ Caution: When screwing up L3, the torque ≤ 0.5 NM, otherwise it will damage locating driving gear.
 - △ Loosen fixing screw L1 of cam 1, drive cam 1 to rotate clockwise and trigger micro switches K2, K1 to move in turn and make sound. When K1 moves and makes sound, stop adjustment. Then screw up fixing screw L1.

□2 Adjusting full open:

- △ Rotate the valve to full open position with handle;
- △ loosen fixing screw L2 of cam2, drive cam 2 to rotate anticlockwise and trigger micro switches K4, K3 to move in turn and make sound. When K3 moves and makes sound, stop adjustment. Then screw up fixing screw L2.

□3 Wiring:

After modifying, connect the circuit according to the wiring label on the box cover. After confirmation, you can do power test.

□4 Power test:

- △ mainly check the consistence of on and off between the actuator and the valve body. At the same time, please check whether the valve is full close or not. Special testing device is recommended.
- ※ In the process of adjustment, do not over tighten screws, otherwise it will damage screw threads or other parts.

Common failures and processing methods

	Fault phenomenon	Fault cause	Processing methods
□1	Actuator no action	△1 power not connected	Connect power
		△2 voltage below level or incorrect	Check whether voltage is within the normal range
		△3 overtemperature protection of motor	Check whether valve gets stuck or torque value is too big
		△4 terminal loose or poor contact	Check and correctly connect terminal
		△5 starting capacitance poor run	Contact the manufacturer to get repair
□2	No feedback signal	△1 line barrier of user acquisition signal	Connect user acquisition signal
		△2 microswitch damage	Change microswitch
□3	Actuator not fully closed	△1 use feedback signal to control actuator	Receive feedback signal doesn't mean actuator is fully closed, so don't cut power off
		△2 technical hysteresis increases due to abrasion between actuator and valve rod	1 Readjust valve-off position 2 Contact the manufacturer to get repair
□4	Actuator interior water ingress	△1 OD of incoming line cable non-standard	Contact the manufacturer to get repair
		△2 waterproof treatment of incoming line incomplete	
		△3 actuator lens wearout	
		△4 screws on connection cover/head cover /slide cover loose	

Working environment

- Indoor and outdoor are both optional.
- Not explosion proof products, △ do not use them in flammable and explosive environment.
- You need to install protective device for the actuator if it is exposed to the rain or sunshine.
- Please pay attention to the ambient temp.
- When installing, you need to consider the reserved space for wiring and repairing.
- When power on, △ it is not allowed to dismantle actuator and valve.
- When power on, △ it is not allowed to do wiring.
- ✘ Absolutely no falling down the ground, which will hit the device and lead to improper operation.
- ✘ Absolutely no standing on the device, which will cause device malfunction or personal accident.
- ✘ It is forbidden to do wiring project in rainy day or when there is water splash.

Safety notice

- In order to use the device safely for a long term, please pre-read the manual carefully to ensure correct use.
- Notice item: Please understand the product specification and using method clearly to prevent personal safety danger or device damage.
- In order to indicate damage and danger, here we classify them as "warning △" and "notice ✘".
- Both of contents are very important, which should be obeyed strictly.
- "Warning △": It will cause death or serious injury if not obeyed.
- "Notice ✘": It will cause slight injury or device damage if not obeyed.
- Subject to technical changes.